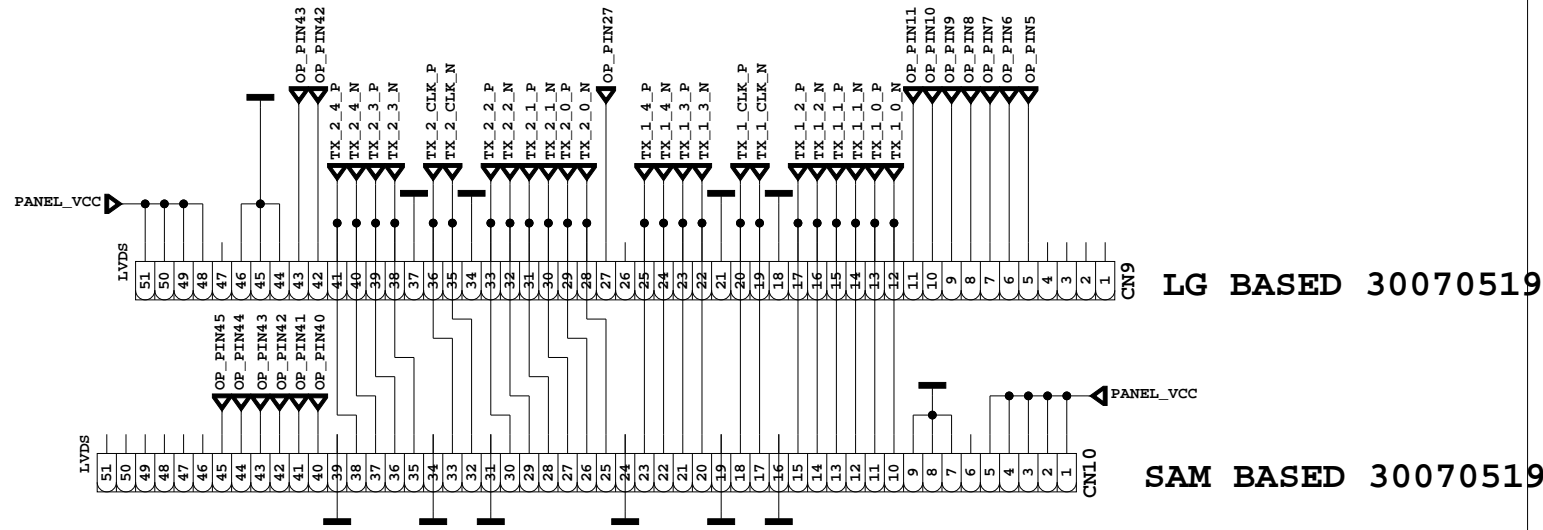
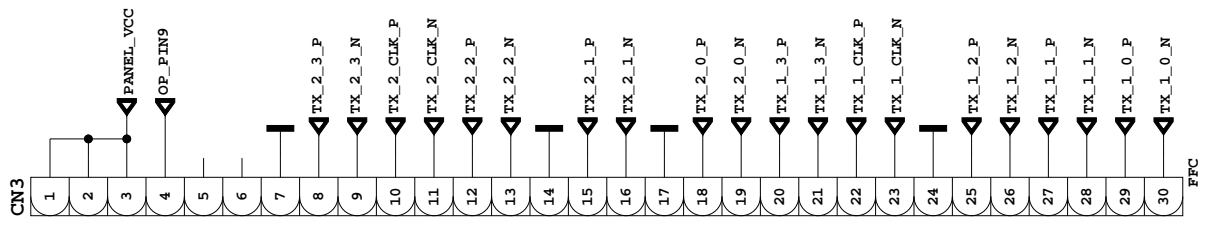


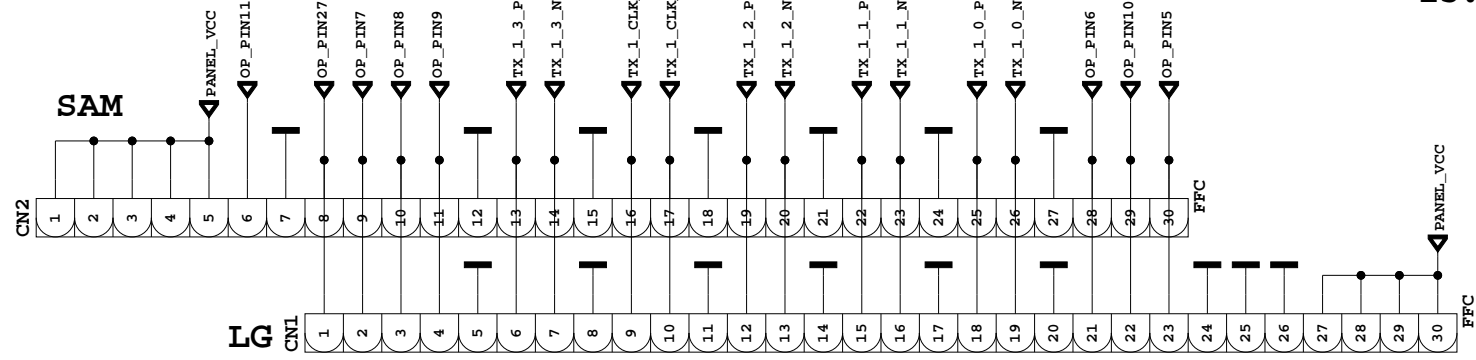
FHD 50Hz 3D FFC



19" TO 22" DOUBLE LVDS FFC OPTIONS



WXGA FFC

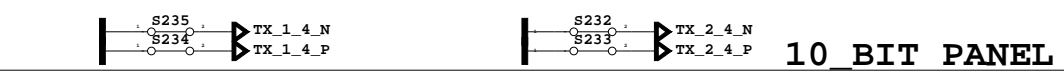
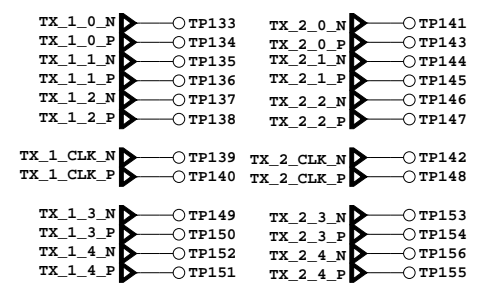
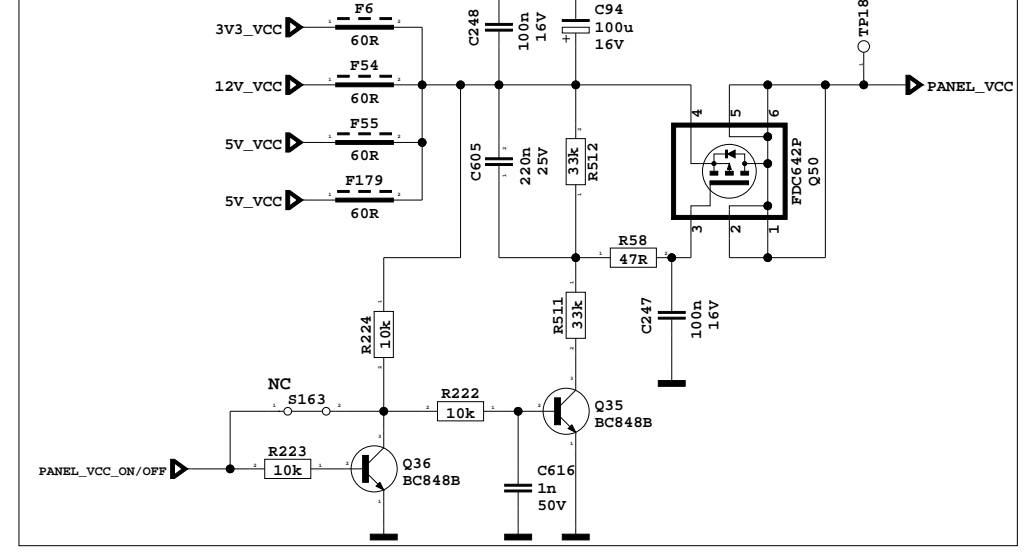


OPTIONS TABLE

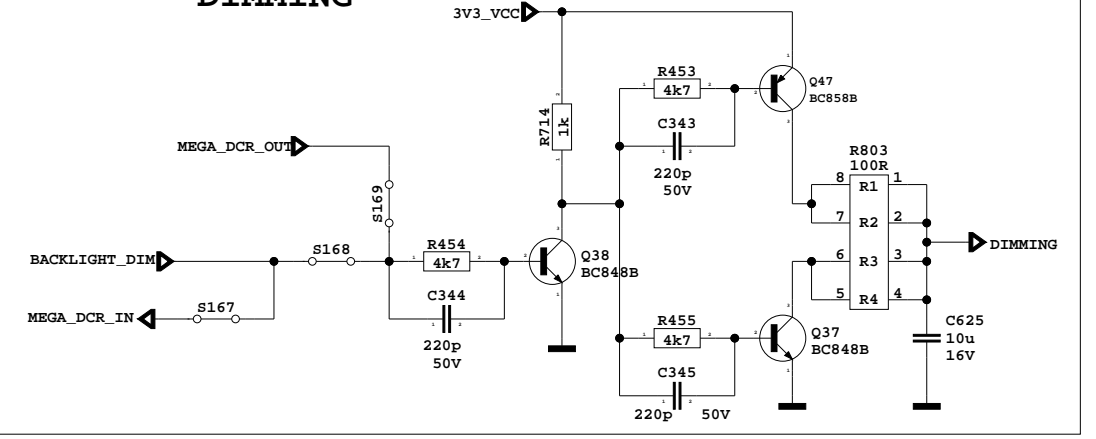
3D_EN	S183	OP_PIN5
PANEL_VCC	R514, R226, 10k	OP_PIN6
PANEL_VCC	R515, R227, 10k	OP_PIN7
PANEL_VCC	R516, R228, 10k	OP_PIN8
MEGA_DCR_IN	S186	OP_PIN9
PANEL_VCC	R517, R229, 10k	OP_PIN10
MEGA_DCR_OUT	S185	OP_PIN11
PANEL_VCC	R518, R230, 10k	OP_PIN12
PANEL_VCC	R519, R231, 10k	OP_PIN13
PANEL_VCC	R1962, R1961, 10k	OP_PIN14
PANEL_VCC	R513, R225, 10k	OP_PIN15
12V_VCC	S123	OP_PIN16
12V_VCC	S142	OP_PIN17
3D_EN	S188	OP_PIN18
PANEL_VCC	R521, R233, 10k	OP_PIN19
12V_VCC	S122	OP_PIN20
PANEL_VCC	R522, R234, 10k	OP_PIN21
BACKLIGHT_ON/OFF	S164	OP_PIN22
DIMMING	S71	OP_PIN23
PANEL_VCC	R124, R90, 10k	OP_PIN24

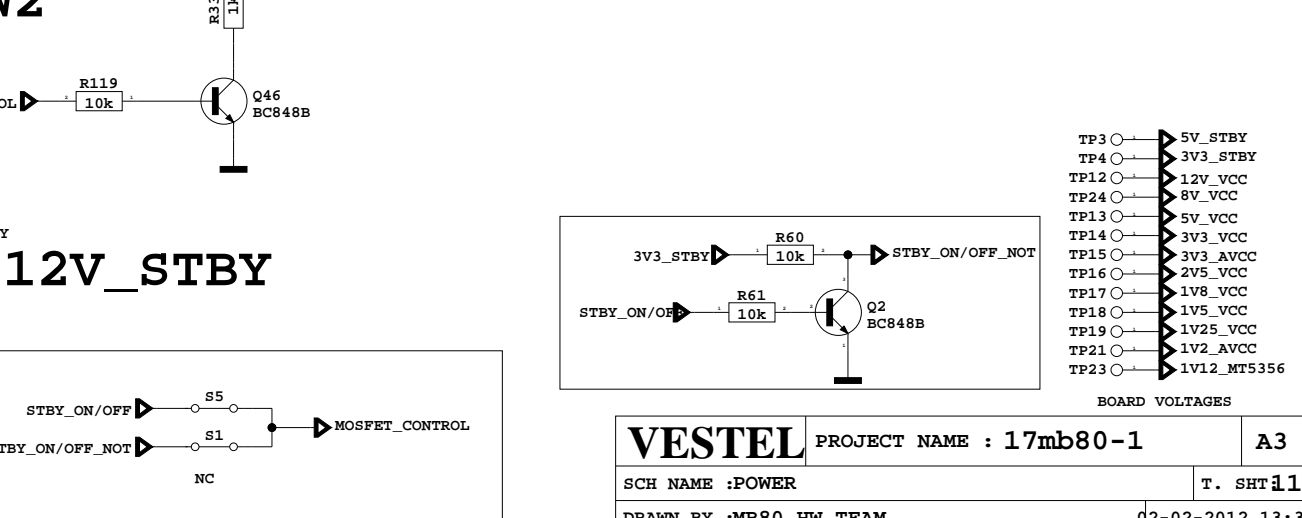
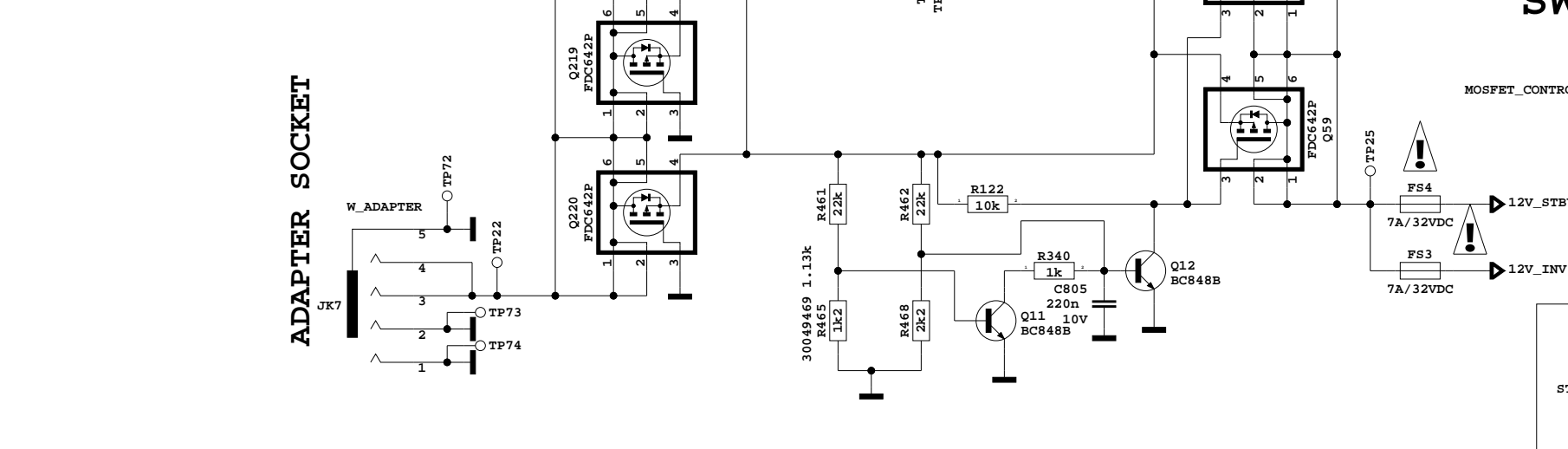
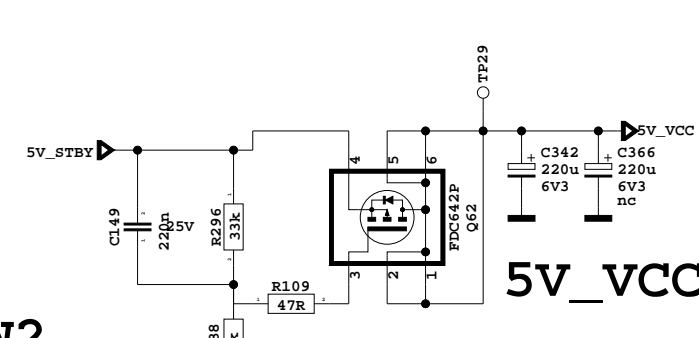
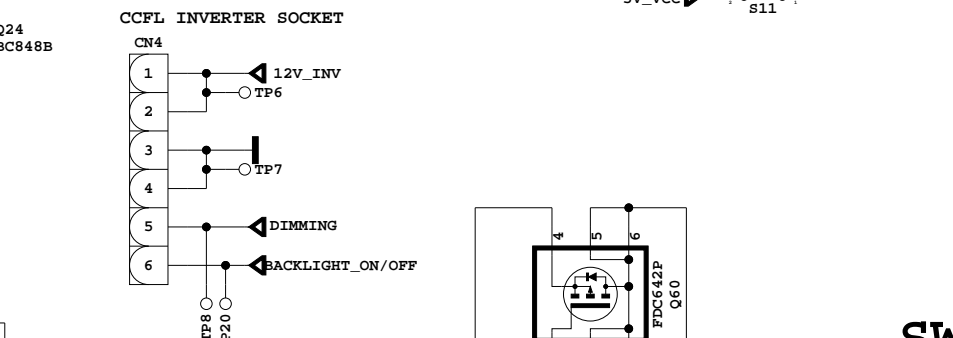
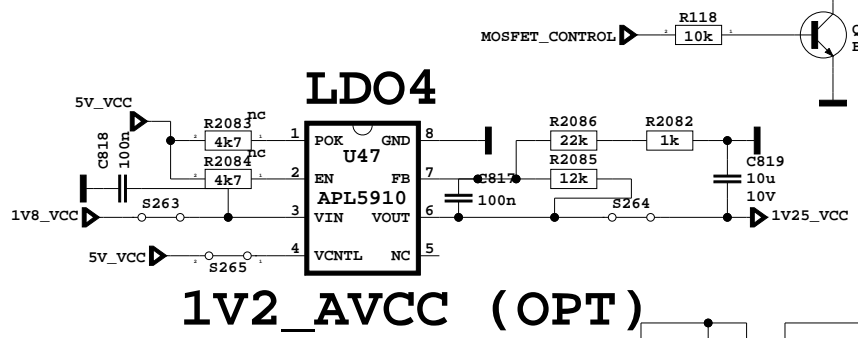
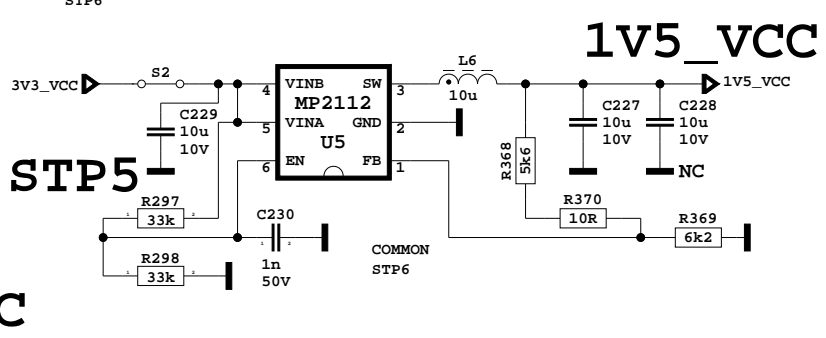
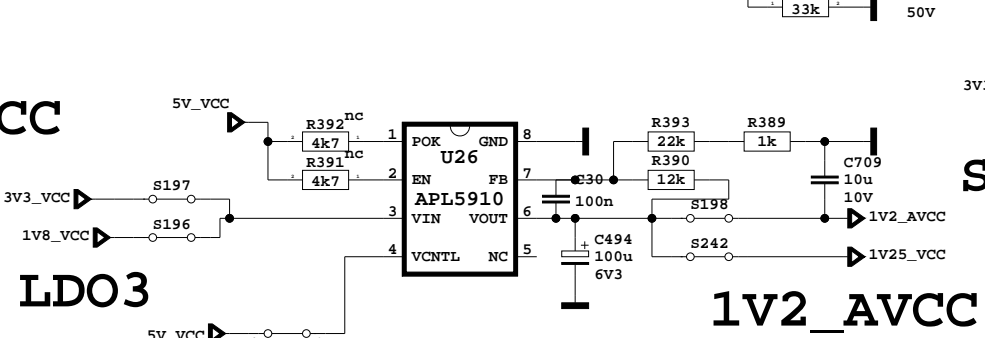
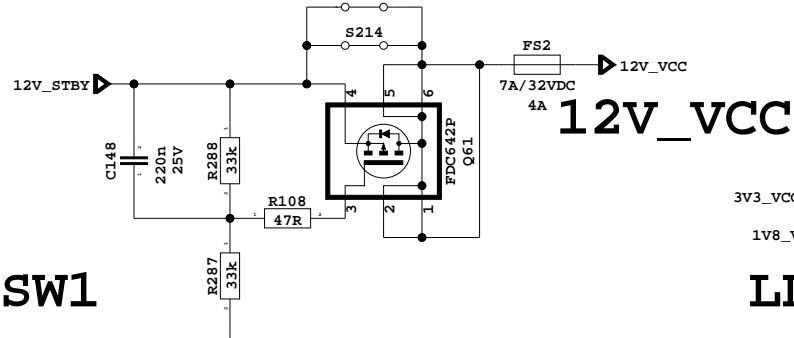
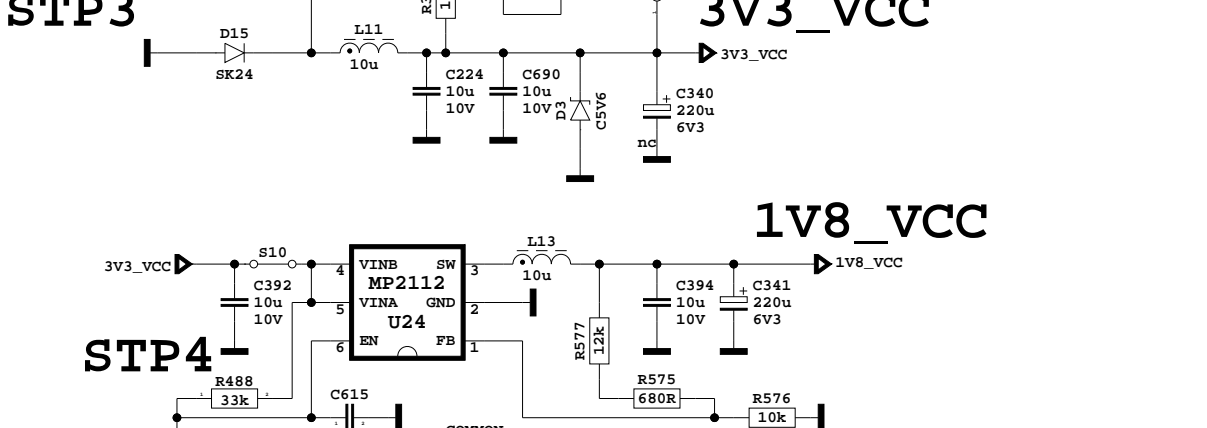
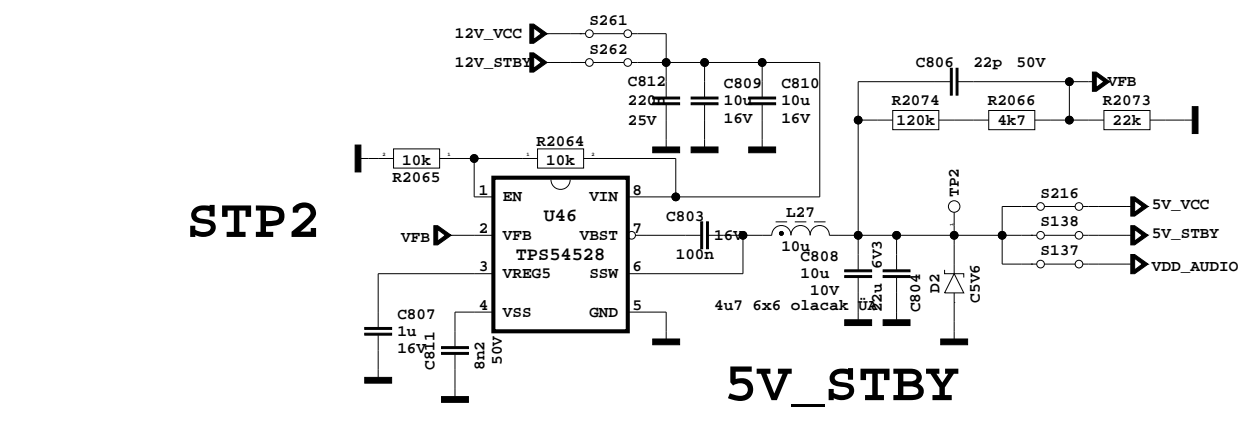
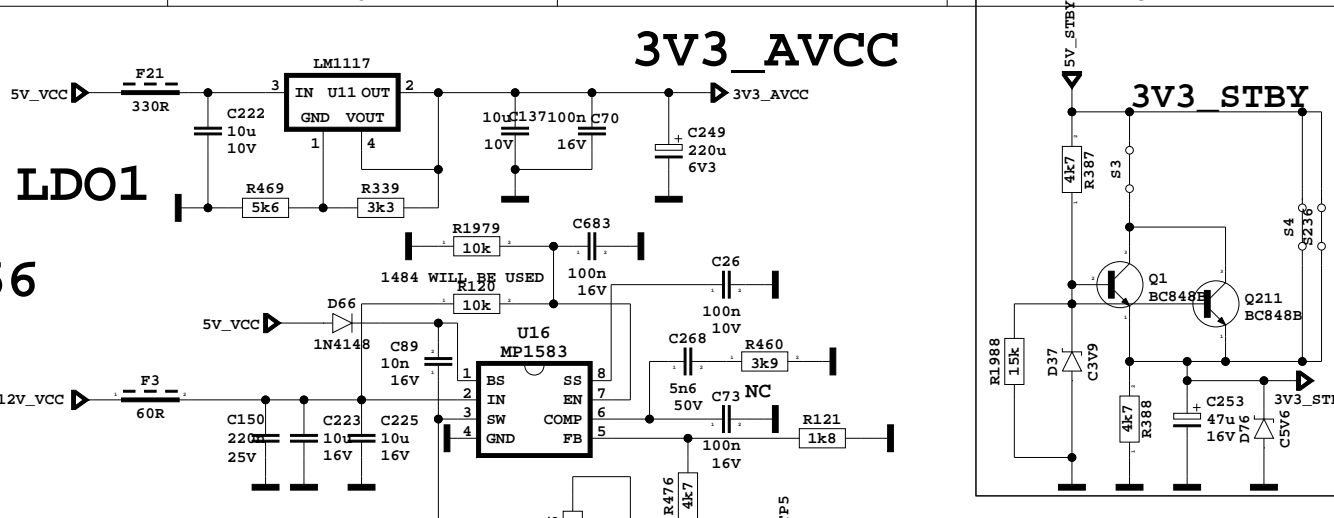
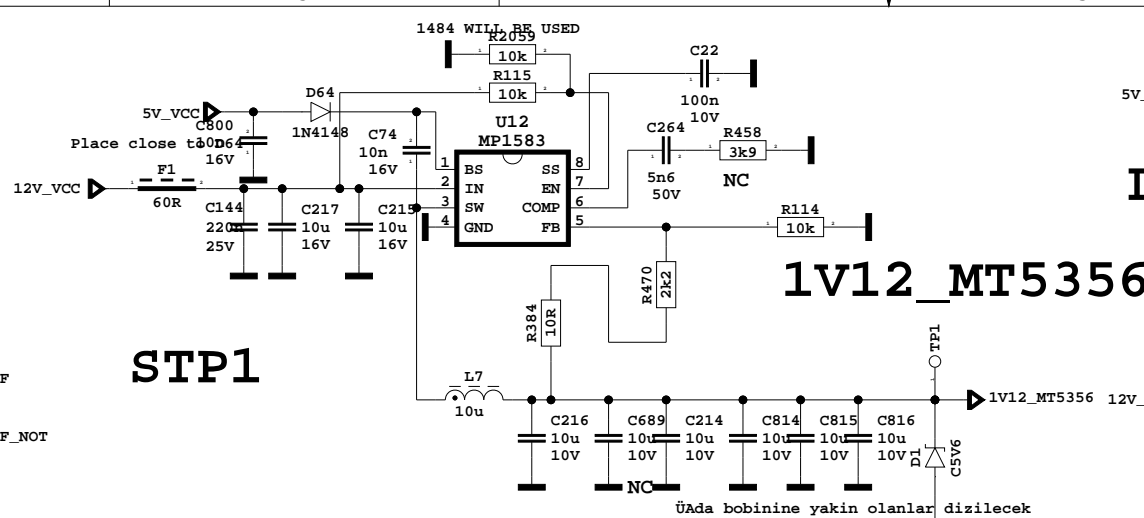
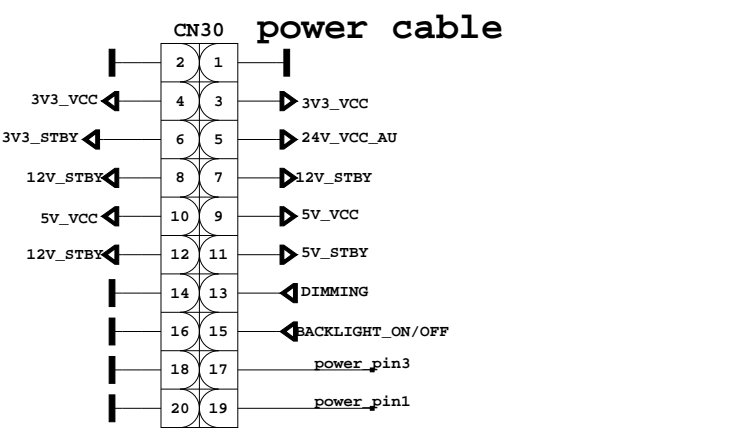
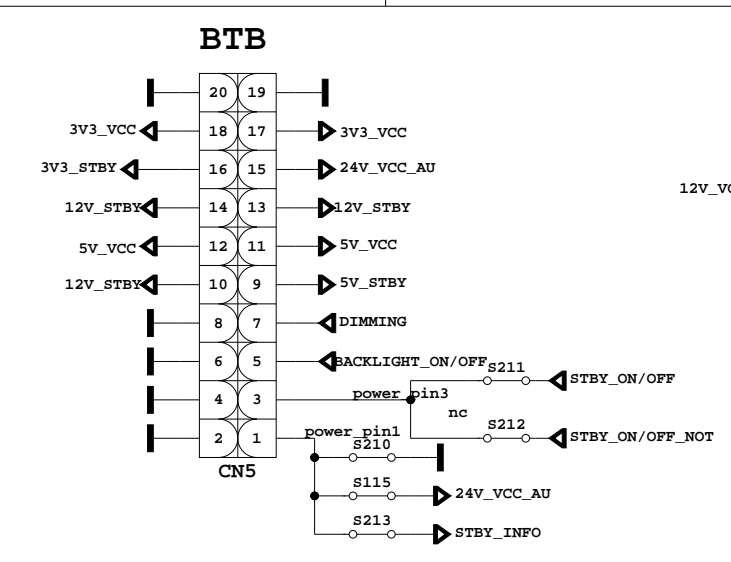
15.6"

PANEL SUPPLY SWITCH

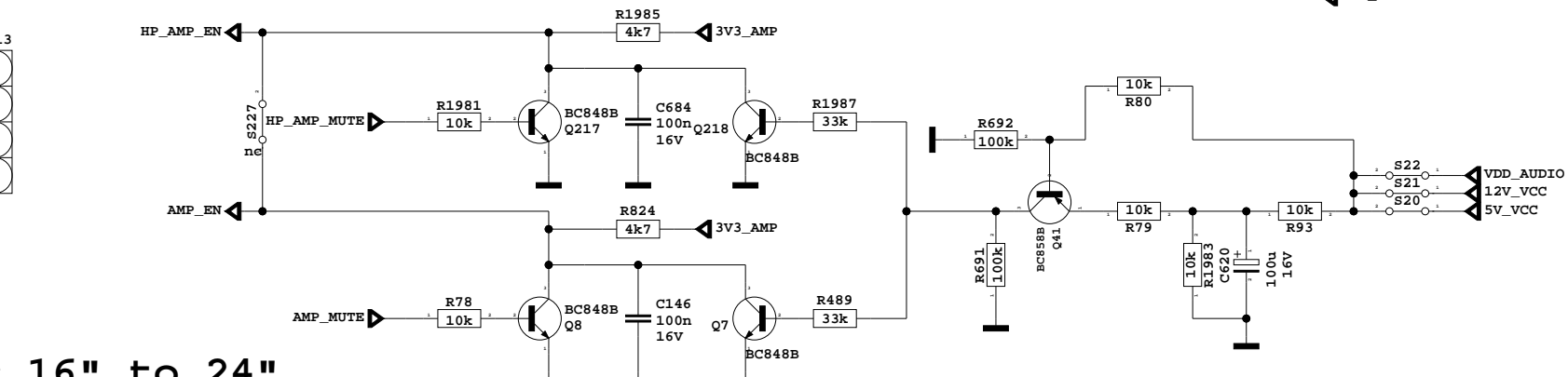
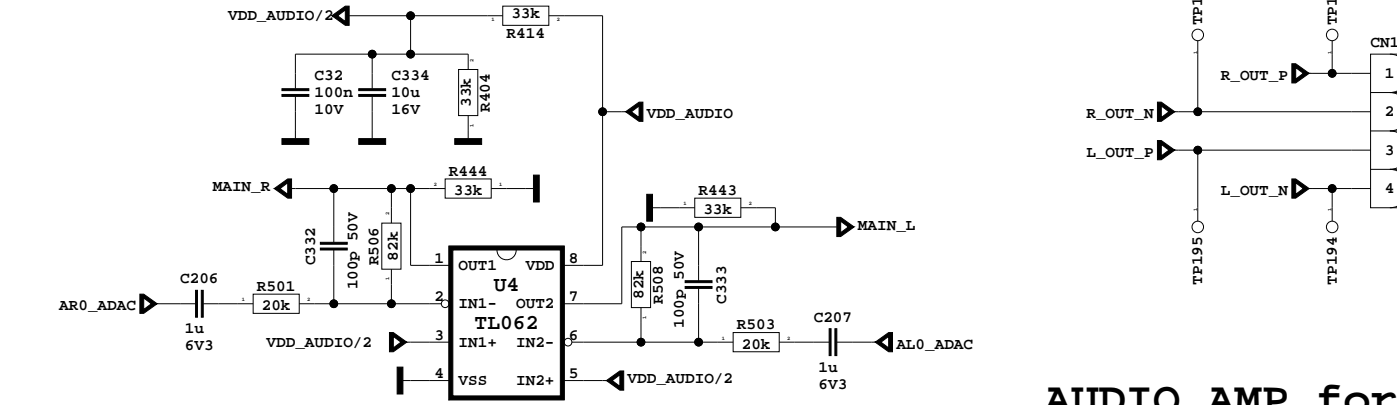
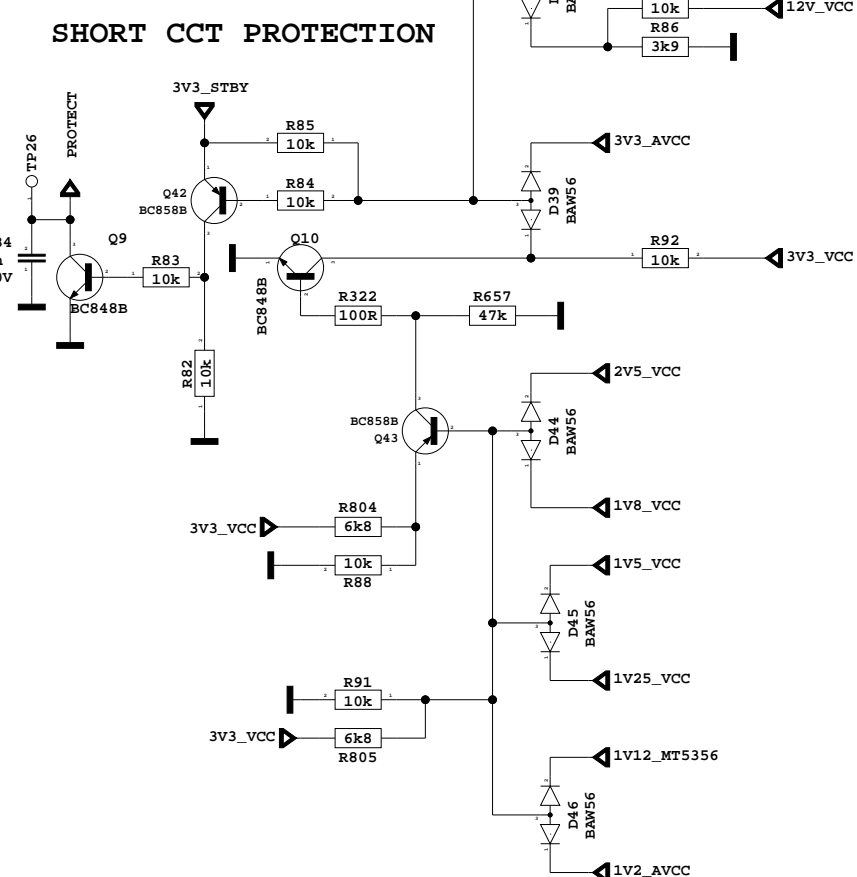
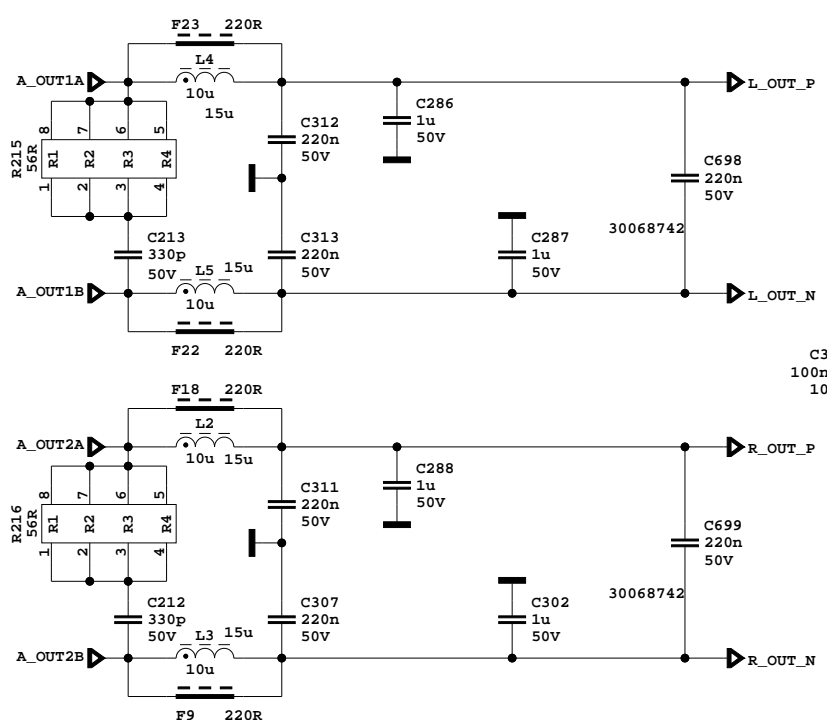
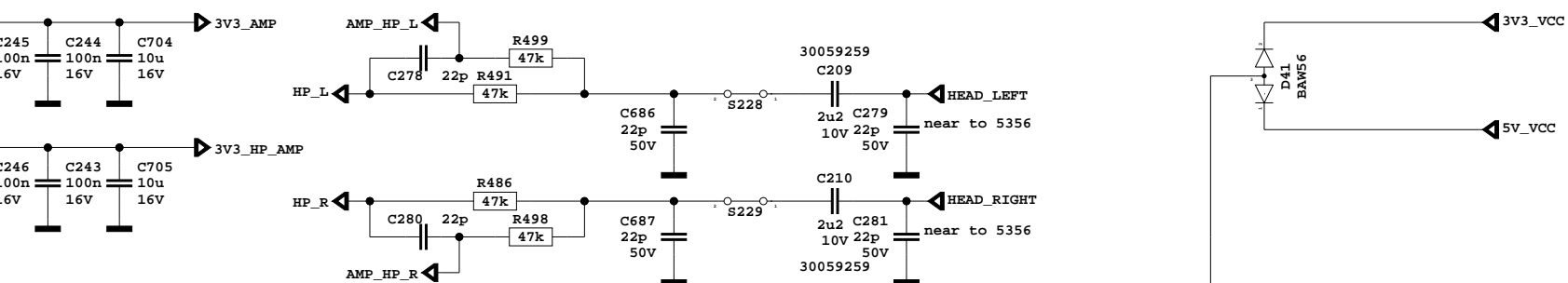
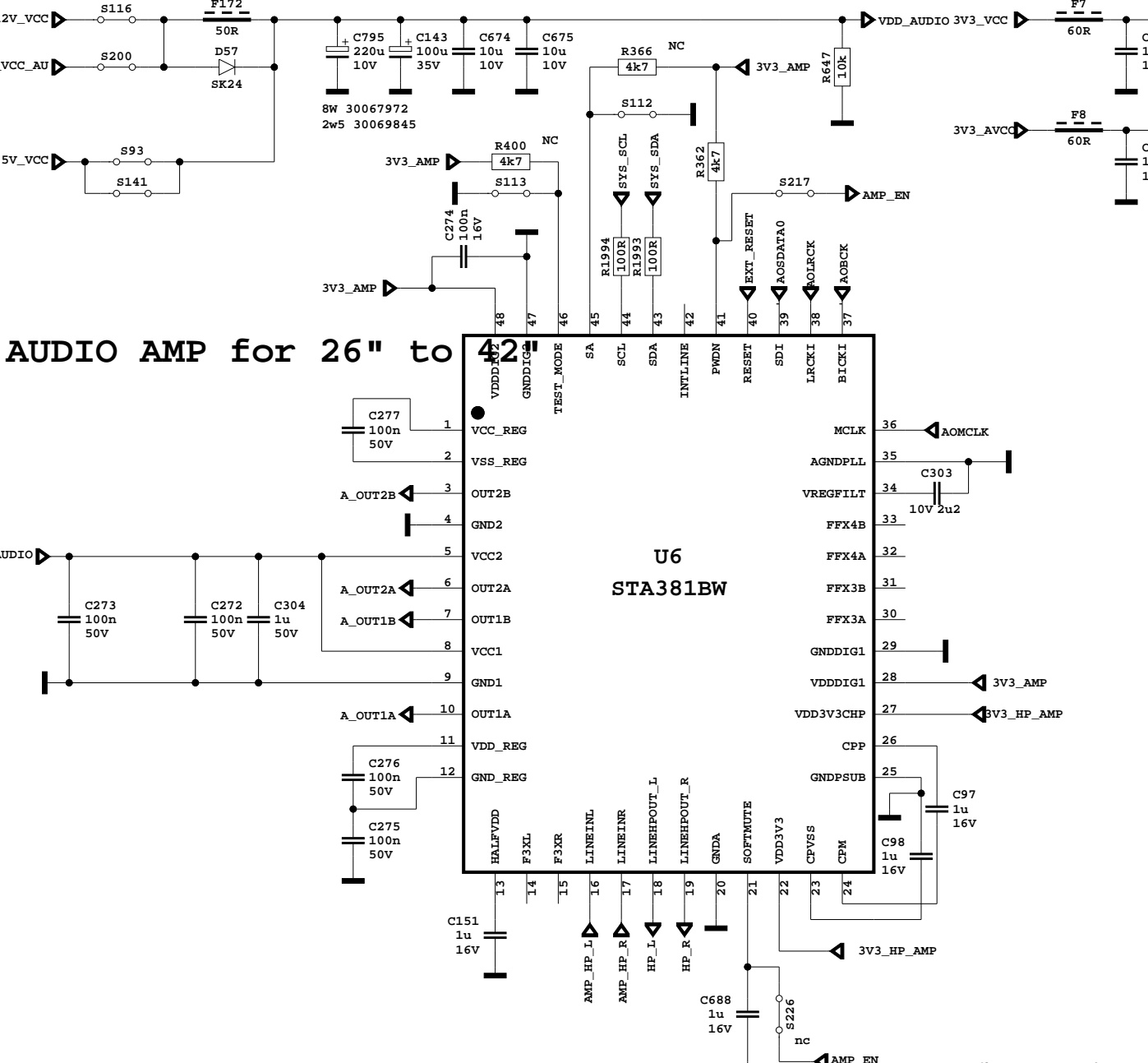


DIMMING

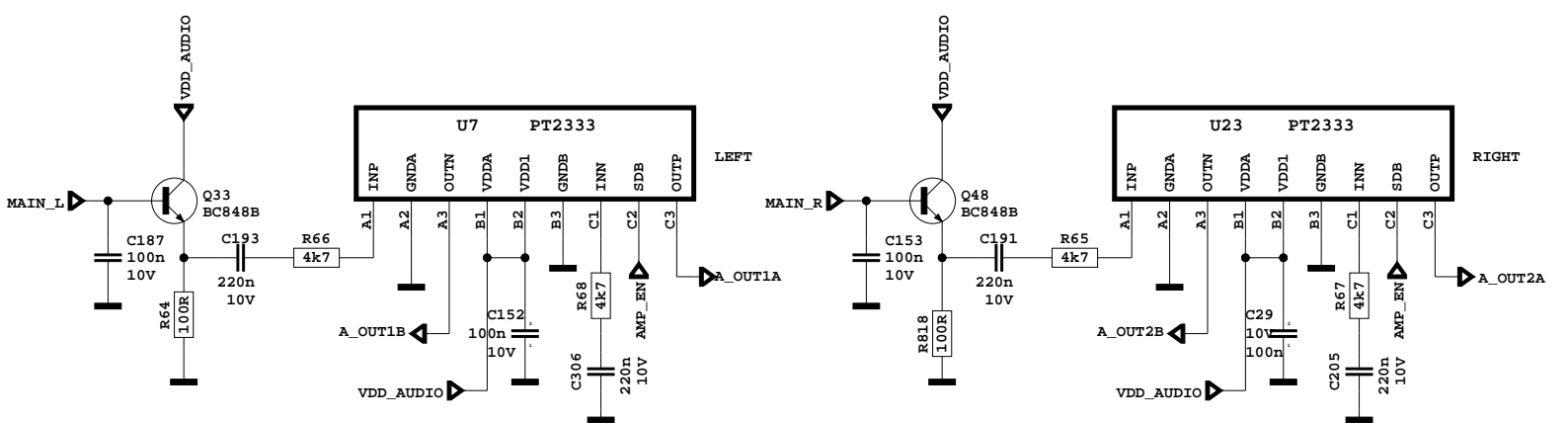


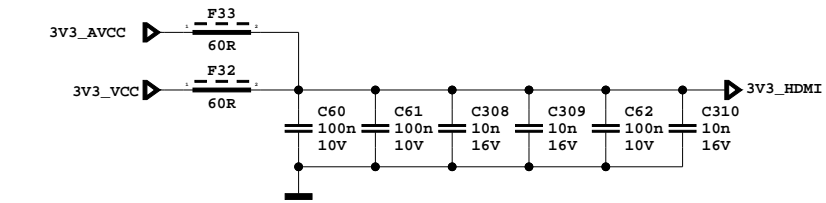
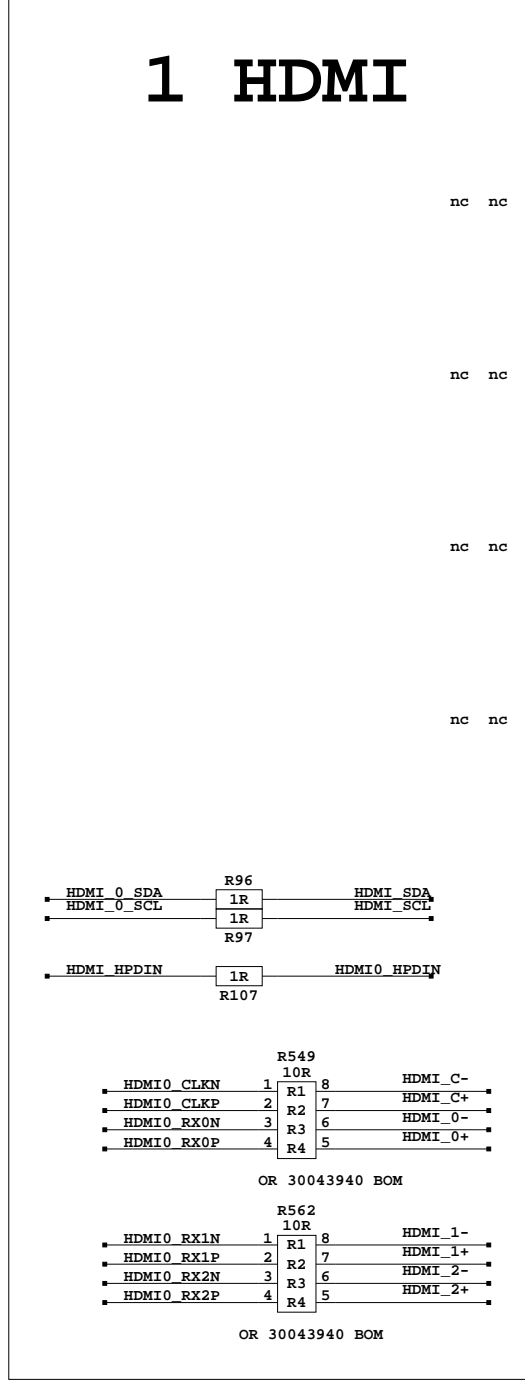
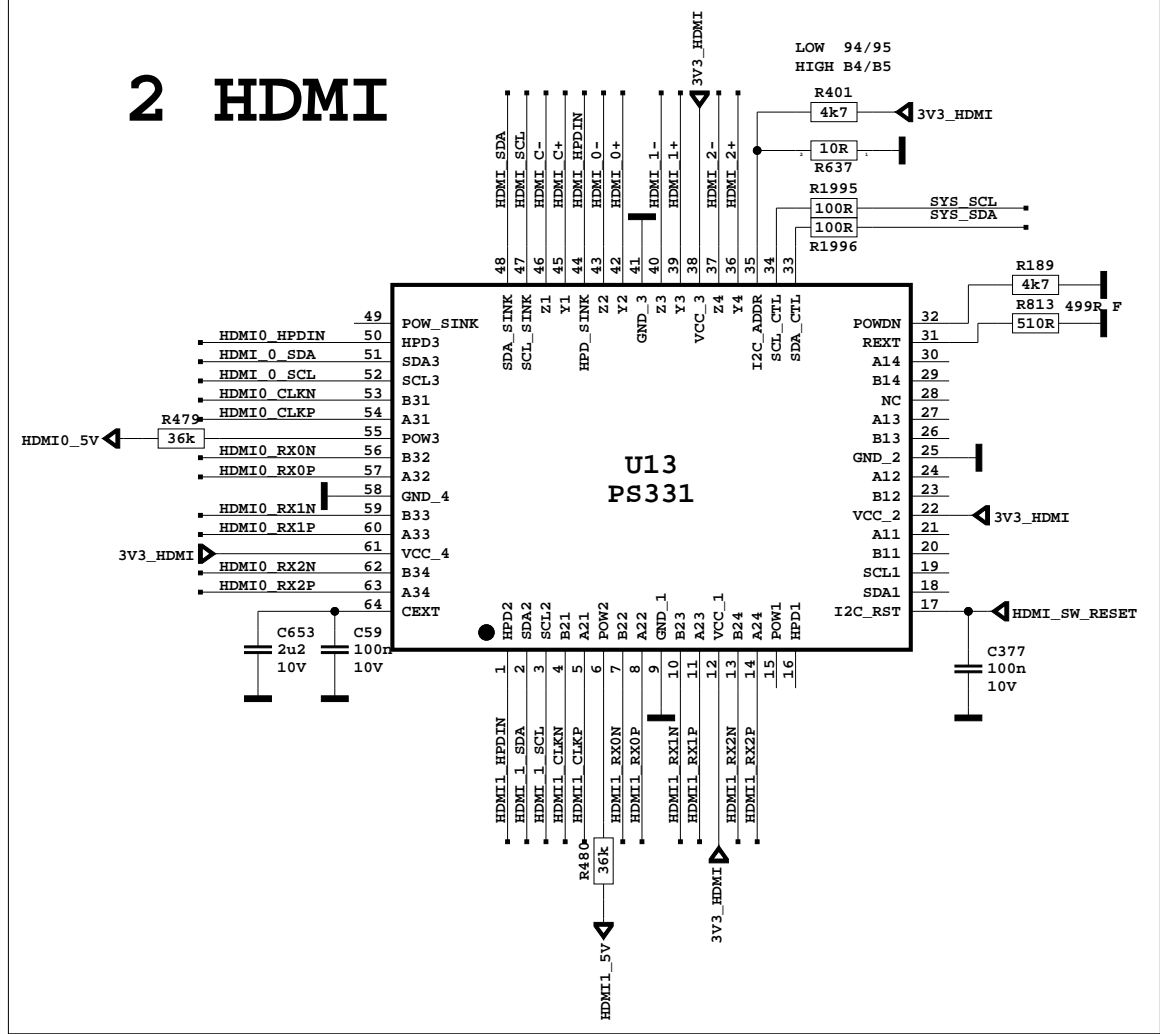
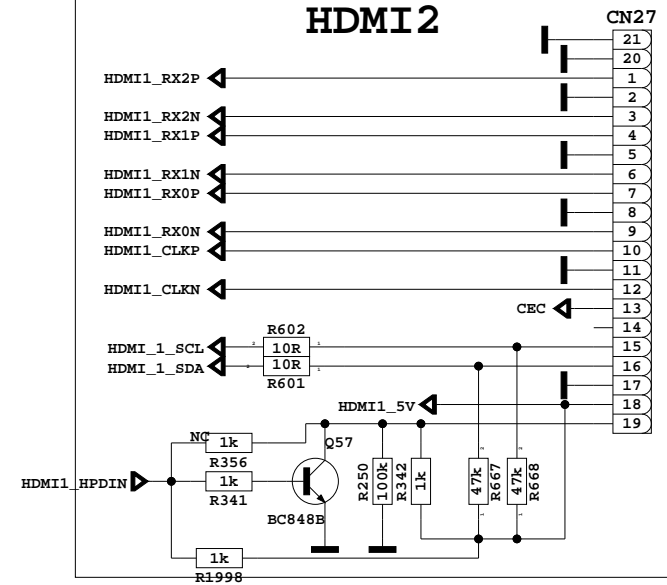
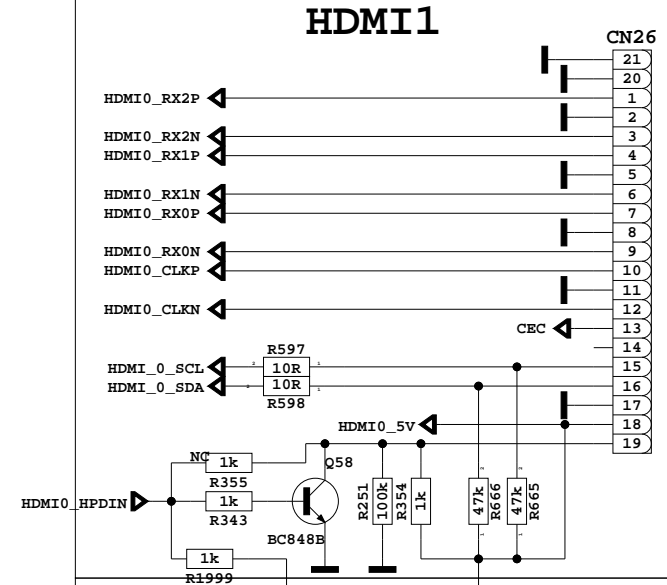
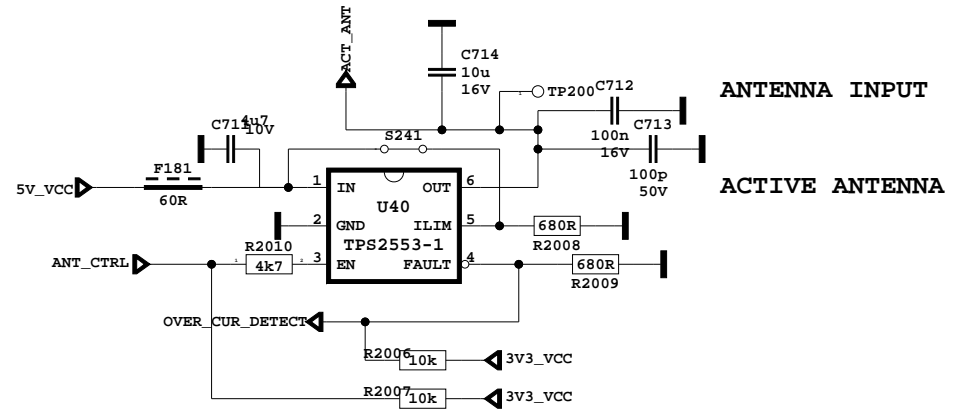
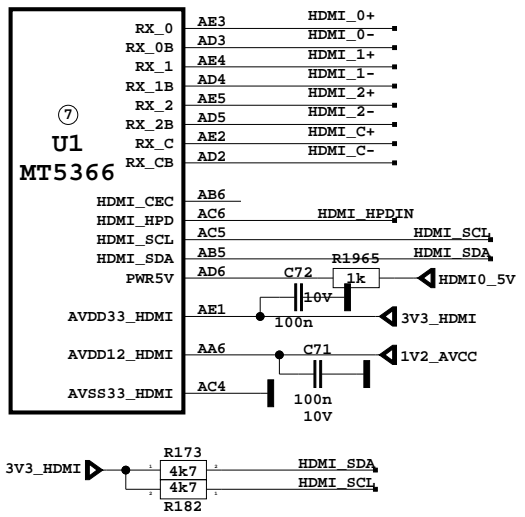


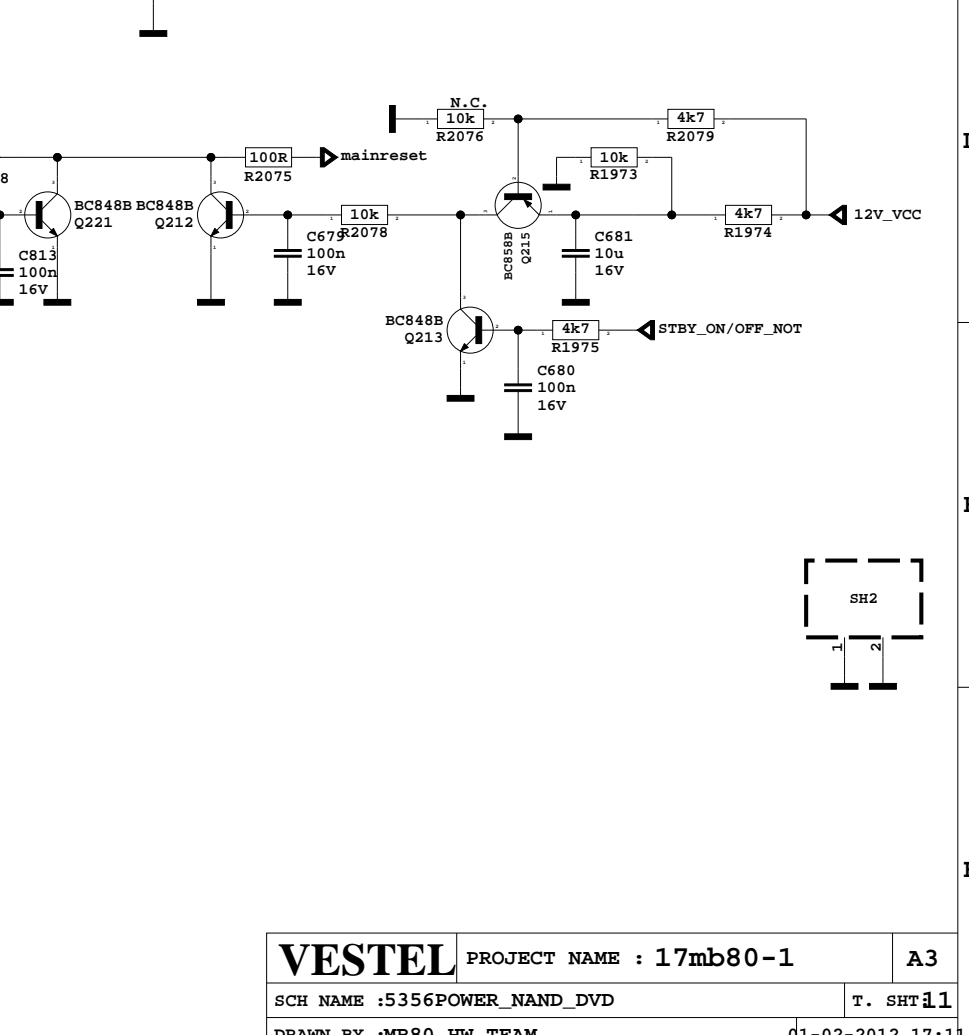
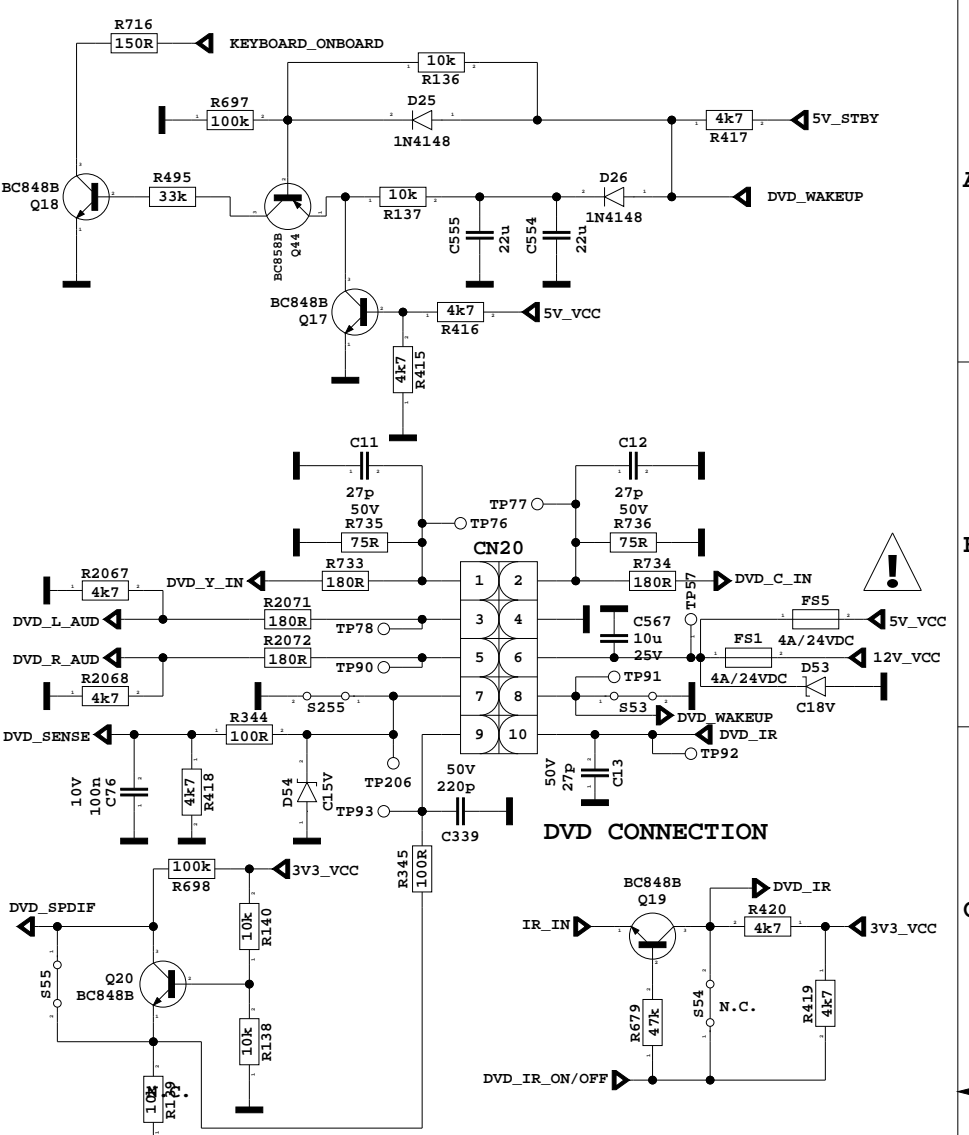
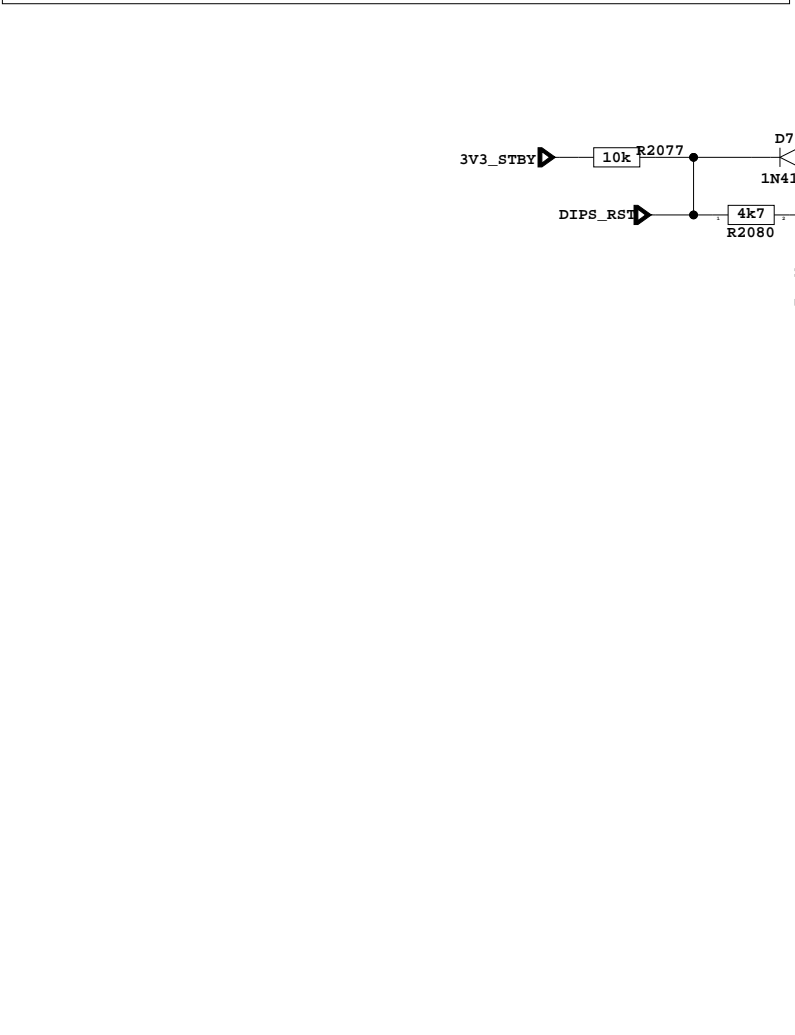
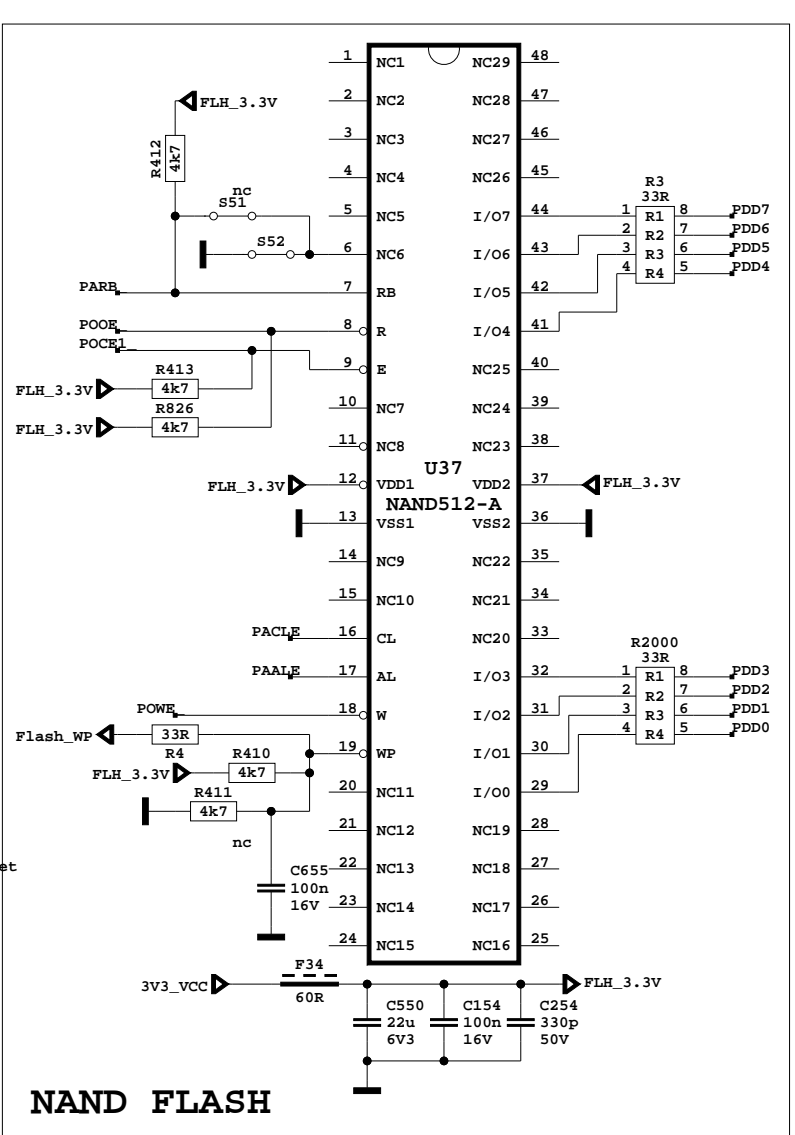
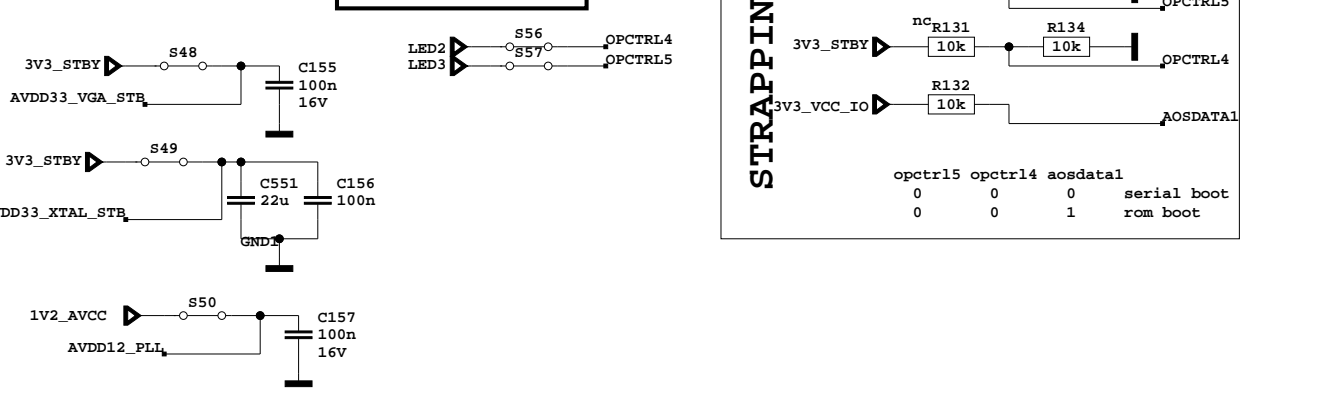
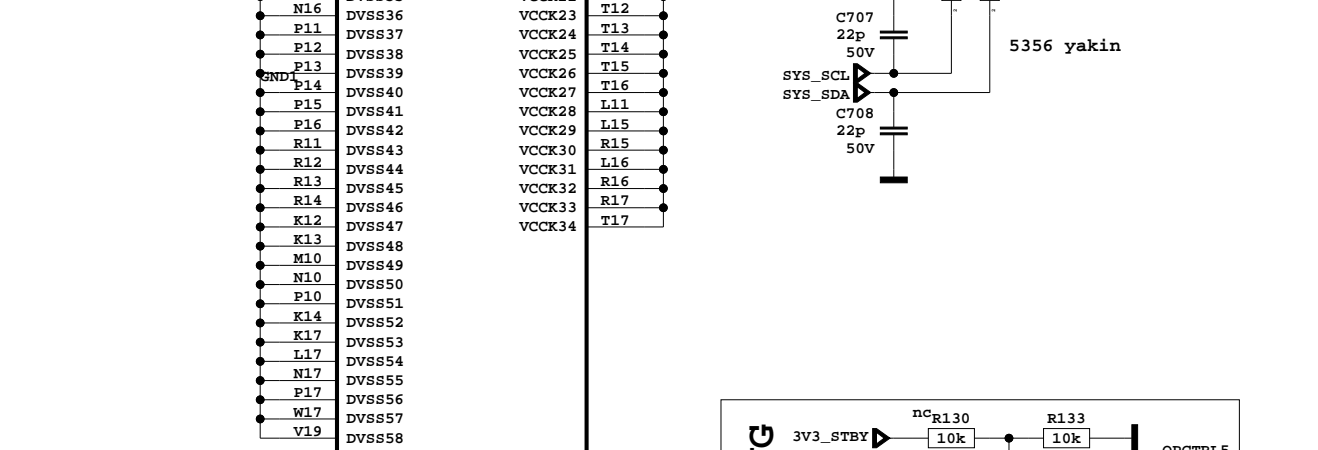
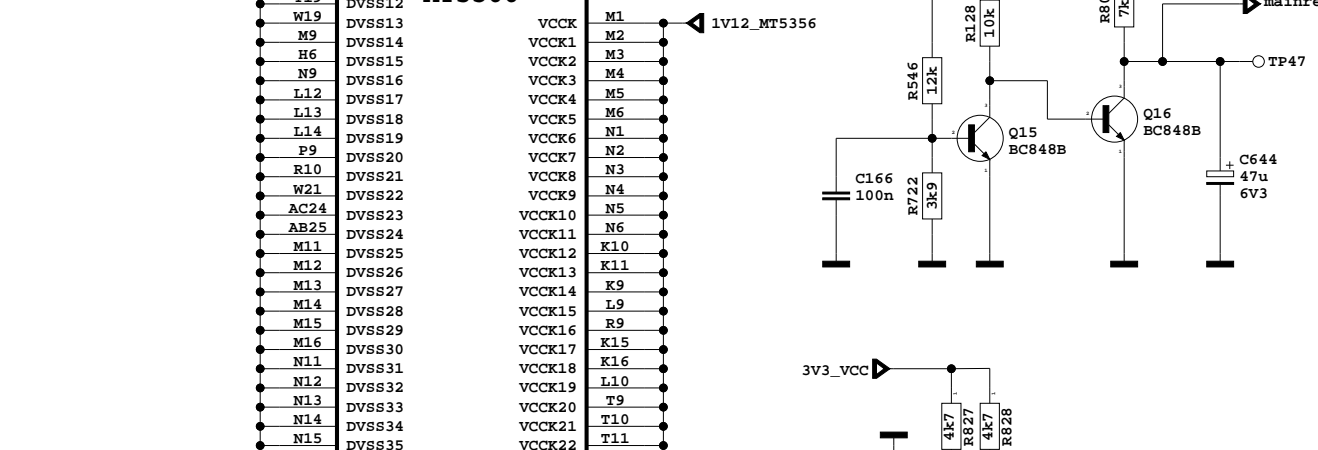
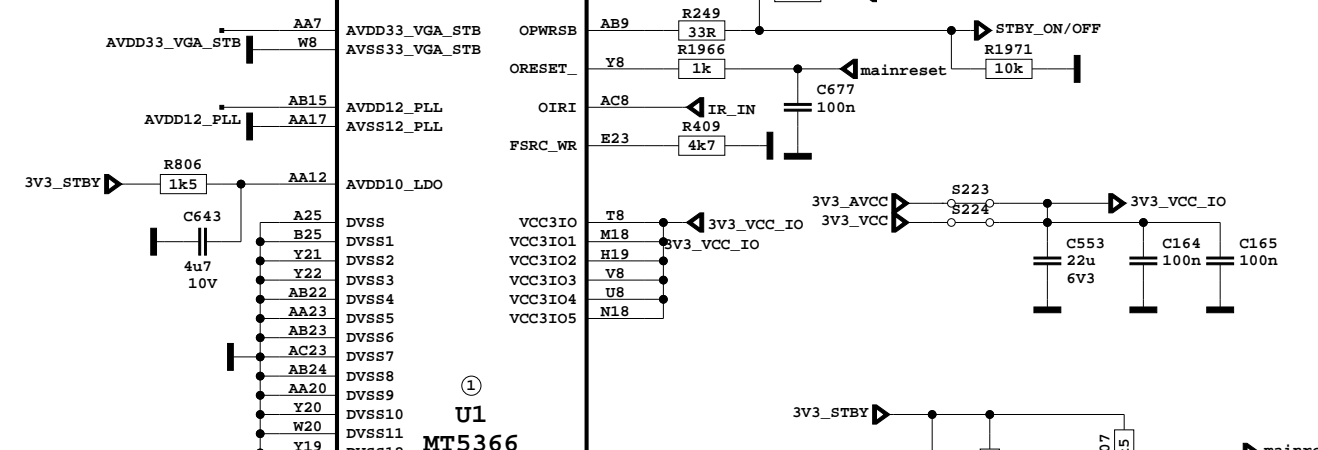
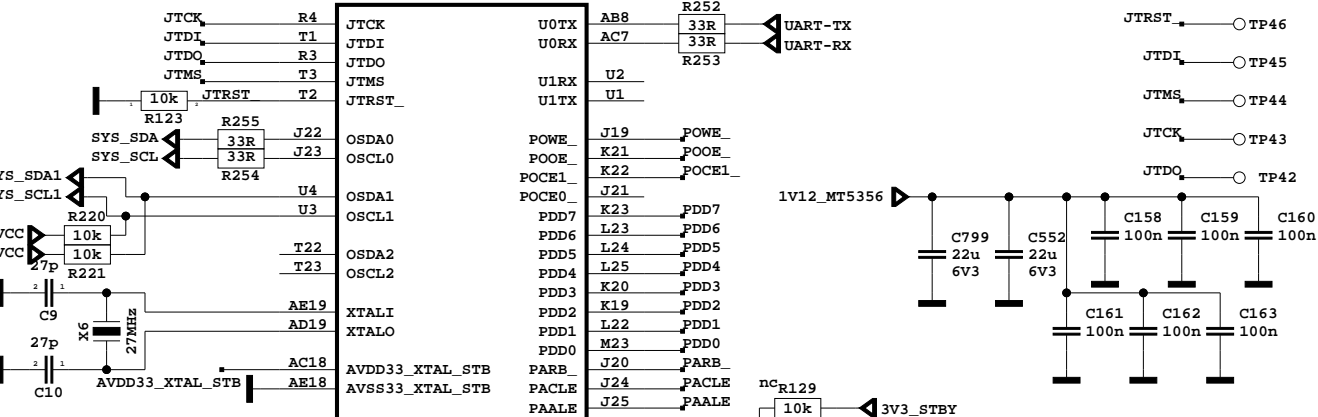
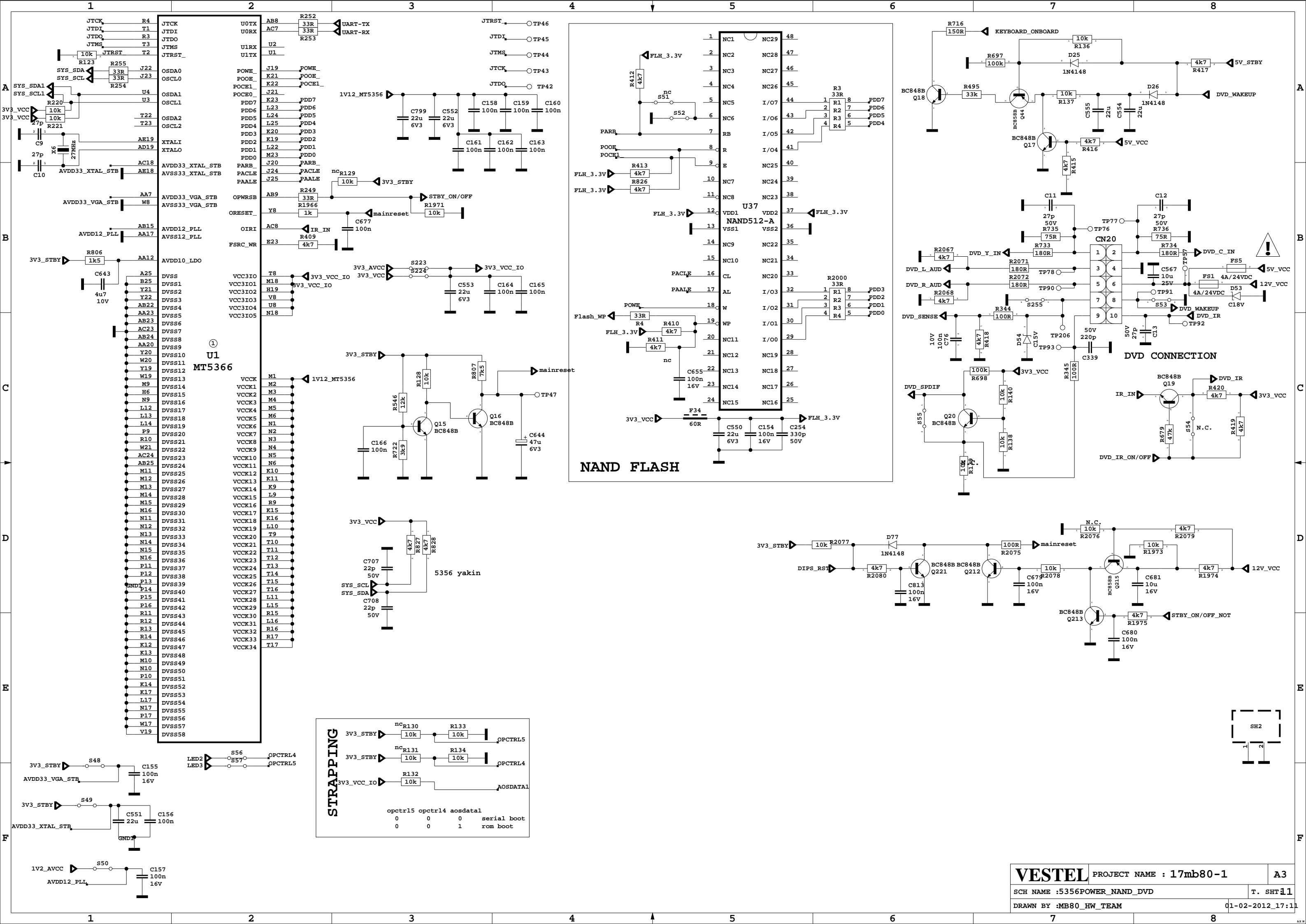
AUDIO AMP for 26" to 42"



AUDIO AMP for 16" to 24"

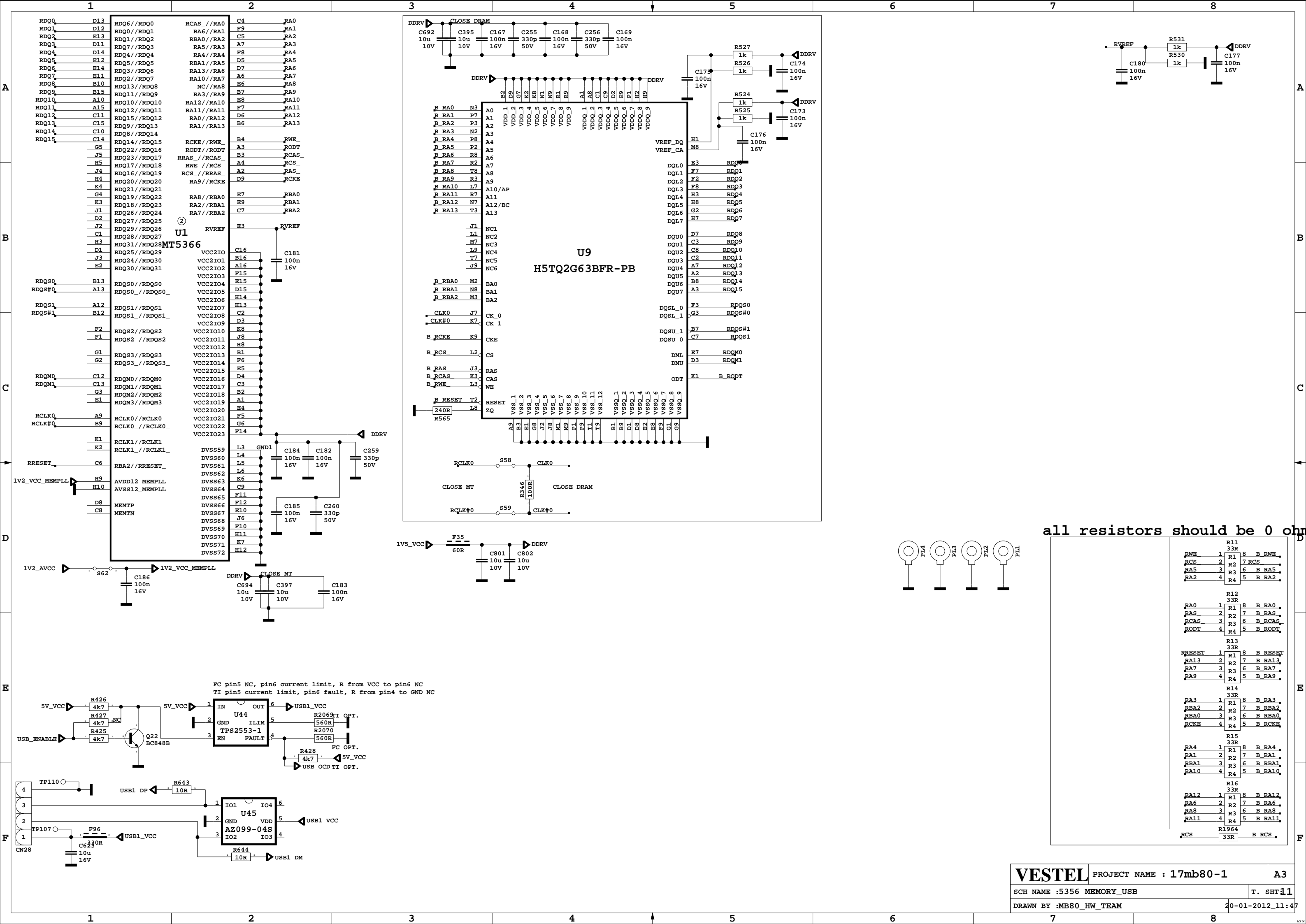






STRAPPING

3V3_STBY	ncR130	R133		OPCTRL5
3V3_STBY	ncR131	R134		OPCTRL4
3V3_VCC_IO	R132			AOSDATA1
opctrl5	opctrl4	aosdata1		
0	0	0		serial boot
0	0	1		rom boot



U1
MT5366

U9
H5TQ2G63BFR-PB

all resistors should be 0 ohm

R11 33R		8 B RWE
RWE	1 R1	7 RCS
RCS	2 R2	6 B RA5
RA5	3 R3	5 B RA2
RA2	4 R4	
R12 33R		8 B RA0
RA0	1 R1	7 B RAS
RAS	2 R2	6 B RCAS
RCAS	3 R3	5 B RODT
RODT	4 R4	
R13 33R		8 B RESET
RRESET	1 R1	7 B RA13
RA13	2 R2	6 B RA7
RA7	3 R3	5 B RA9
RA9	4 R4	
R14 33R		8 B RA3
RA3	1 R1	7 B RBA2
RBA2	2 R2	6 B RBA0
RBA0	3 R3	5 B RCKE
RCKE	4 R4	
R15 33R		8 B RA4
RA4	1 R1	7 B RA1
RA1	2 R2	6 B RBA1
RBA1	3 R3	5 B RA10
RA10	4 R4	
R16 33R		8 B RA12
RA12	1 R1	7 B RA6
RA6	2 R2	6 B RA8
RA8	3 R3	5 B RA11
RA11	4 R4	
R1964 33R		B RCS
RCS		

