



DESCRIPTION

PT2318 is a sound fader controller IC utilizing CMOS Technology specially designed for car radio hi-fi audio applications. Four selectable stereo inputs, 1 mono input, bass, treble, volume, balance and fader controls, mute function and a special loudness feature which is automatically controlled in combination with the volume level setting are all built into a single I²C bus controlled stereo preamplifier chip having the highest performance and reliability. Pin assignments and application circuits are optimized for easy PCB layout and cost saving advantages.

FEATURES

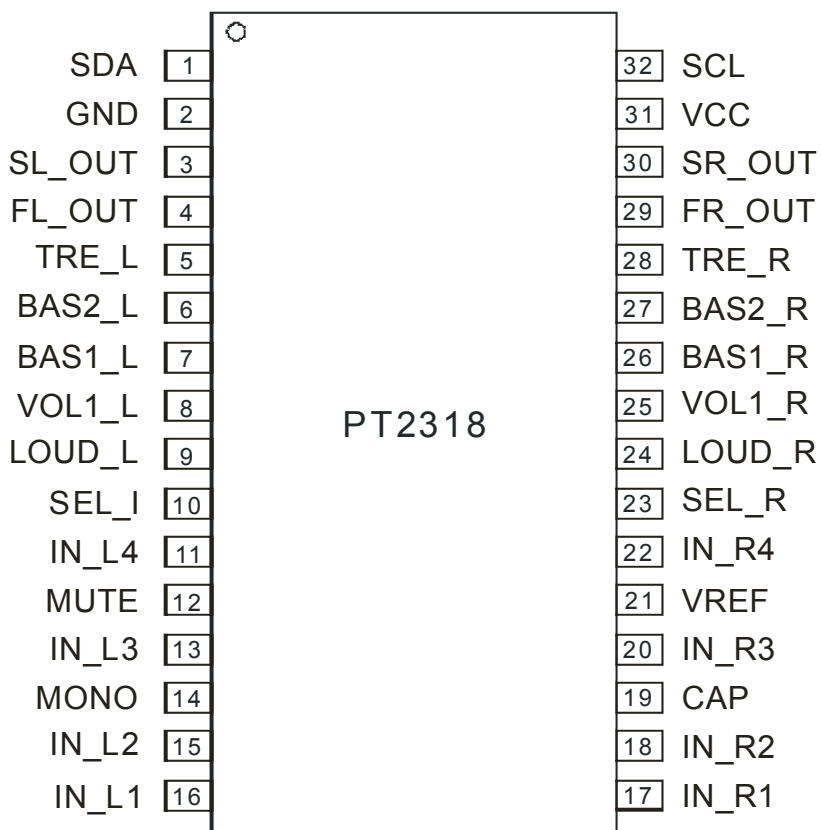
- CMOS technology
- CMOS technology
- I²C bus control interface
- 4 selectable stereo inputs
- 1 mono input
- Volume, Balance and Fader controls
- Bass & Treble controls
- Noise reduction circuit interface provided
- External equalizer interface provided
- Mute control at audio signal zero crossing
- Internal power-on reset function
- Mute function controlled via the I²C bus or pin
- Special automatic loudness feature in combination with the volume setting

APPLICATIONS

- Car audio
- Hi-Fi audio applications



PIN CONFIGURATION

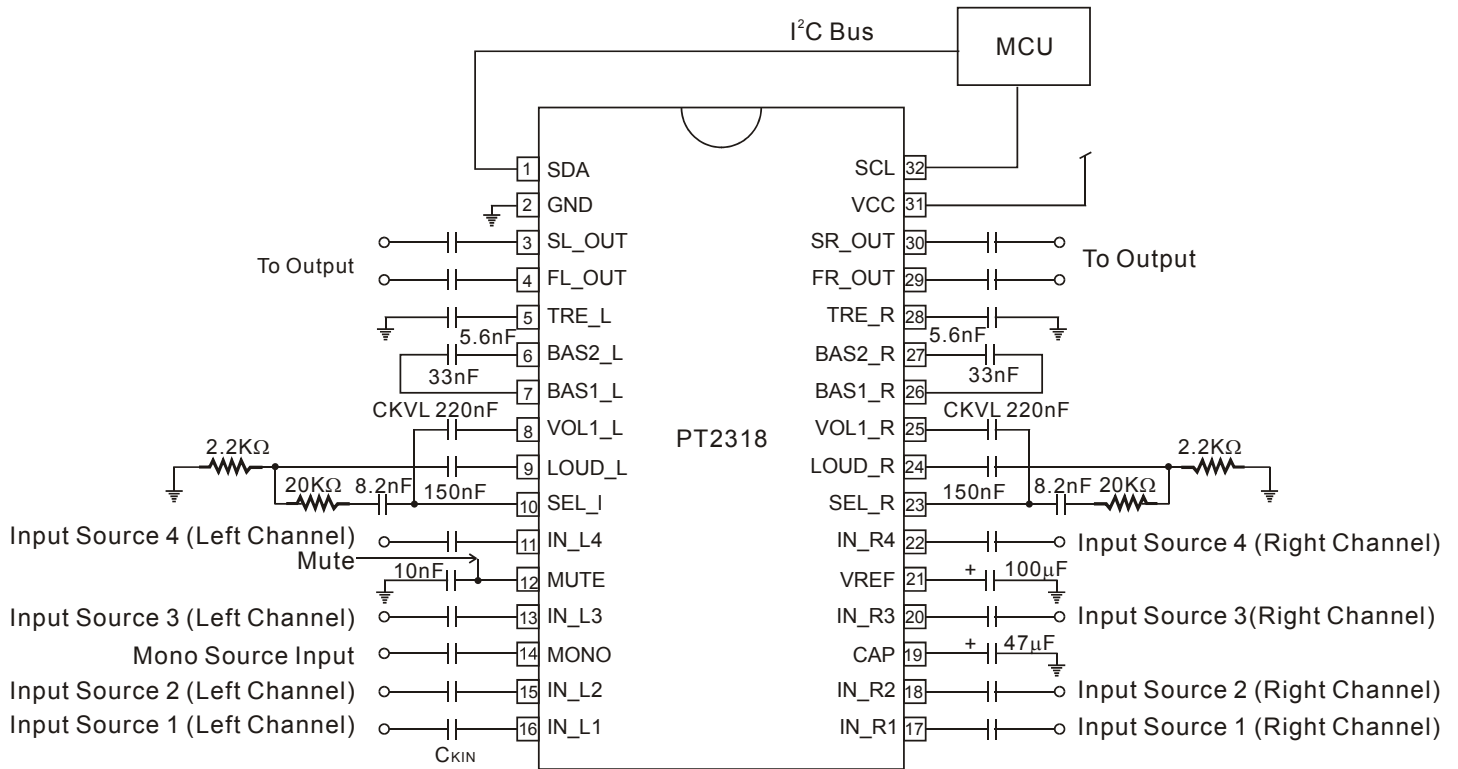




Sound Fader Controller IC

PT2318

APPLICATION CIRCUIT





ORDER INFORMATION

Valid Part Number	Package Type	Top Code
PT2318-S	32 Pins, SOP, 300mil	PT2318-S
PT2318	32 Pins, DIP, 600mil	PT2318
PT2318-S (L)	32 Pins, SOP, 300mil	PT2318-S
PT2318 (L)	32 Pins, DIP, 600mil	PT2318

Notes:

1. (L), (C) or (S) = Lead Free.
2. The Lead Free mark is put in front of the date code.