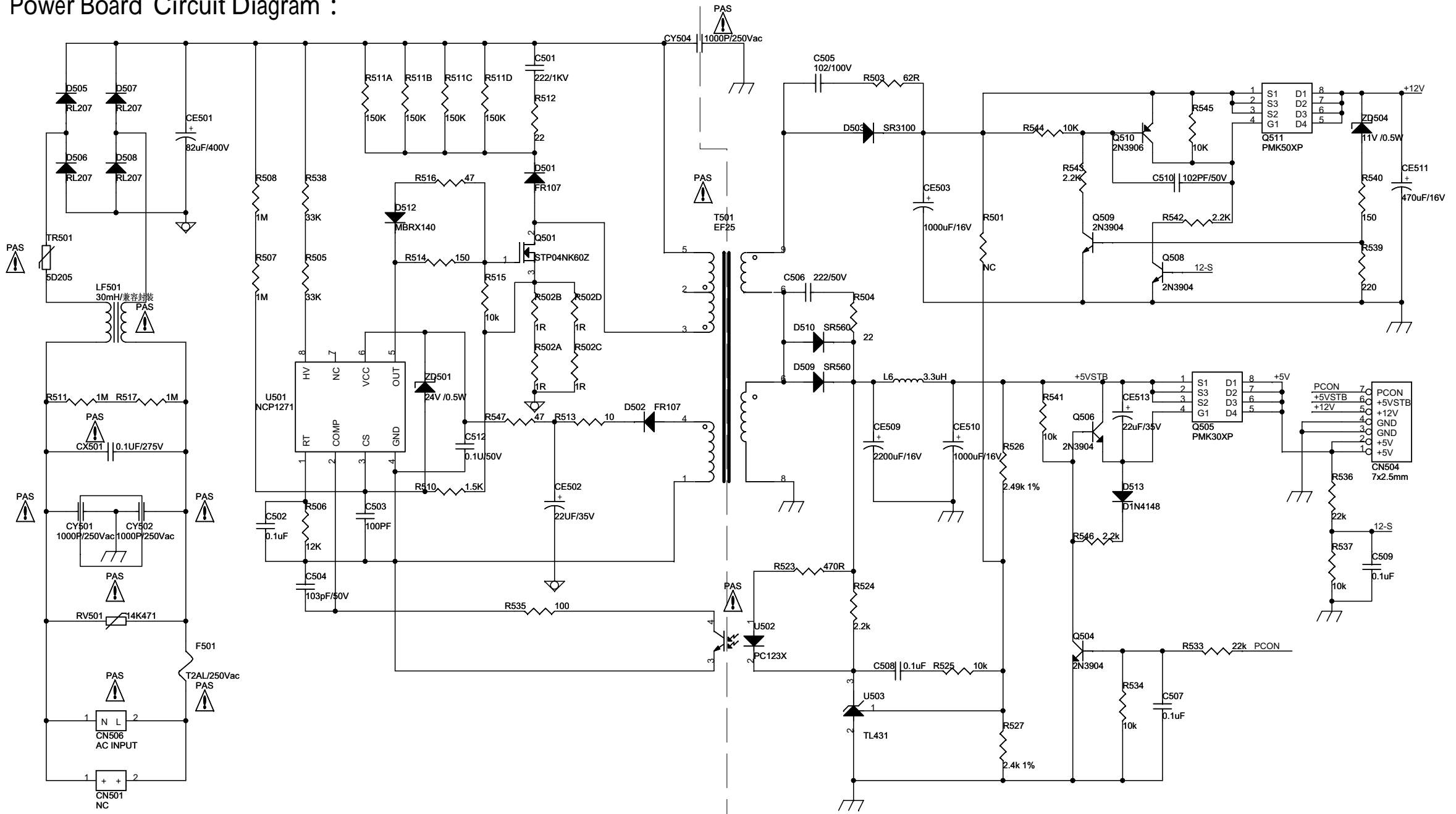



Power Board Circuit Diagram :



*** CAUTION :**

THE PARTS MARKED WITH  ARE IMPORTANT PARTS ON THE SAFETY.

PLEASE USE THE PARTS HAVING THE DESIGNATED PARTS NUMBER WITHOUT FAIL.